

Gabinete 18u abatible de pared

Features:

- Welded frame, reliable structure.
- Reversible 5mm toughened glass front door with lock.
- Removable side panels with side pins, side locks are optional for protection.
- Standing or wall mount installation.
- Easy and quick installation & maintenance.
- Cable entries on both of top cover and bottom panel.



Specifications:

- Material: SPCC cold rolled steel
- Thickness: Mounting rails: 1.5mm; others: 1.2mm
- Surface finishing: Degreasing, pickling, phosphoric, powder coated
- Static loading capacity: 60kgs

Standards:

- ANSI/EIA RS-310-D
- IEC60297-2
- DIN41494, PART1
- DIN41494, PART7
- Compatible with 19" International Standards, ETSI



Standard side panel



Frame



Installation hole of back panel

Optional accessories:



Cooling fan



1U cantilever shelf

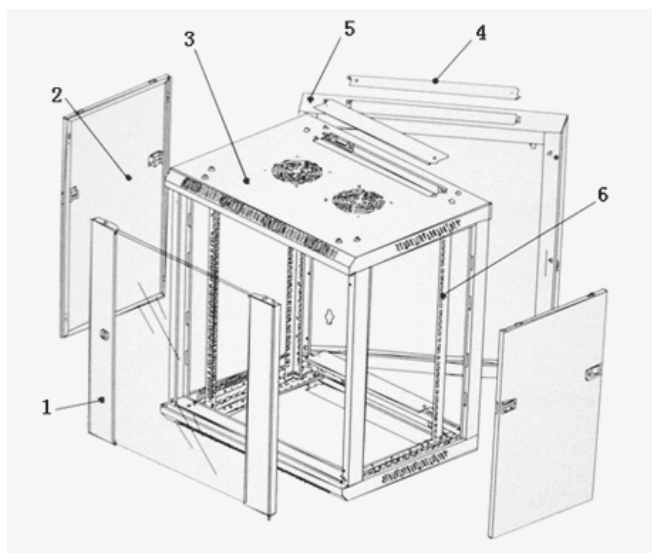


1U cable manager



Blanking panel

Structure of cabinet



Front door options:

- 1-1: toughened glass door, with small round lock
- 1-2: toughened glass door with stripped hole border, with small round lock
- 1-3: toughened glass door with net hole border, with spring lock
- 1-4: metal plate door, with small round lock
- 1-5: perforated door, with spring lock

Main parts:

| S/N | Specification | Qty | Unit | Material | Surface finishing | Remark |
|-----|----------------------------------|-----|------|----------|-------------------|------------------|
| 1 | Toughened glass front door (1-1) | 1 | pc | SPCC | Powder coated | Small round lock |
| 2 | Removable side panels | 2 | pc | SPCC | Powder coated | --- |
| 3 | Frame | 1 | pc | SPCC | Powder coated | --- |
| 4 | Cable entry cover | 2 | pc | SPCC | Powder coated | --- |
| 5 | Back panel | 1 | pc | SPCC | Powder coated | --- |
| 6 | Mounting rails | 4 | pc | SPCC | Powder coated | --- |
| 7 | M6 screws and nuts | 10 | set | --- | --- | --- |

Specifications:

| Model No. | Width (mm) | Depth (mm) | Height (mm) | Assembled packing dimension (mm) |
|-----------|------------|------------|-------------|----------------------------------|
| Gab.18 | 600 | 600 | 900 | 620*620*920 |

| BANDEJA | Width (mm) | Depth (mm) | Height | Capacity |
|---------|------------|------------|--------|----------|
| BAN1010 | 482 | 266 | 1U | 20kg |