

DHI-VTO2202F-P-S3

2-wire IP Villa Door Station



Technical Specification

System

| | |
|-------------------|--|
| Main Processor | Embedded Processor |
| Operating System | Embedded Linux Operation System |
| Button Type | Mechanical |
| Number of Buttons | 1 |
| Interoperability | ONVIF; CGI |
| Network Protocol | IPv4; RTSP; UDP; DNS; P2P; UPnP; RTP; TCP; SIP |

Basic

| | |
|--------------------|--|
| Camera | 1/2.9" 2 MP CMOS |
| Field of View | H: 168.6°, V: 87.1°, D: 176.7° |
| WDR | 120 dB |
| Noise Reduction | 3D NR |
| Video Compression | H.265; H.264 |
| Video Resolution | Main stream: 720p; WVGA; D1; CIF Sub stream: 1080p; WVGA; D1; QVGA; CIF |
| Video Frame Rate | 25 fps |
| Video Bit Rate | 256 Kbps to 8 Mbps |
| Light Compensation | Auto IR |
| Day/Night | Auto(ICR)/Color/B/W; Color/B/W |
| Audio Compression | G.711a; G.711u; PCM |
| Audio Input | 1 channel |
| Audio Output | Built-in speaker |
| Audio Mode | Two-way audio |
| Audio Enhancement | Echo suppression/digital noise reduction |

- Anodized aluminum front panel.
- CMOS low illumination 2MP HD colorful 168.6° camera.
- Video intercom function.
- Provides 12 VDC, 600 mA power.
- Mobile phone app, talk to the visitor or unlock the door remotely on your phone.
- IK07 & IP65 rated (silicone sealant is required for the shell, see the quick start guide).
- Support surface and flush mount.
- Support H.265 and H.264.
- Standard PoE power supply (if the VTO device with 12 V power output needs to charge the load, it should be connected to a PSE switch that complies with the 802.3.at standard).



| | |
|----------------|-----------------|
| Audio Bit Rate | 16 kHz, 16 bits |
|----------------|-----------------|

Function

| | |
|--------------------|---|
| Communication Mode | Digital 2-wire |
| Unlock Mode | Remote |
| Leave Videos | Yes (SD card is inserted in the indoor monitor or door station) |
| Storage | Supports Micro SD card (up to 256 GB) |
| Web Configuration | Yes |

Performance

| | |
|-----------------|----------|
| Casing Material | Aluminum |
|-----------------|----------|

Port

| | |
|-----------------------|--|
| RS-485 | 1 |
| Alarm Output | 1 |
| Power Output | 1 port, 12 V/600 mA |
| Exit Button | 1 |
| Door Status Detection | 1 |
| Lock Control | 1 |
| Network Port | 1 × RJ-45 port, 10/100 Mbps network port |

Alarm

| | |
|--------------|-----|
| Tamper Alarm | Yes |
|--------------|-----|

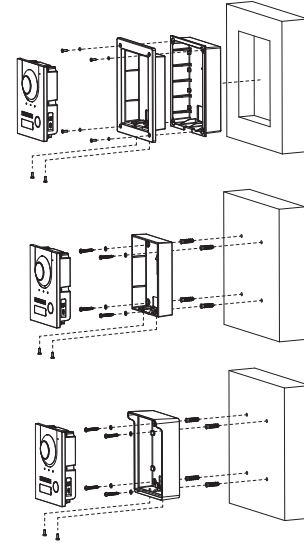
General

| | |
|-----------------------|---|
| Appearance Color | Silver |
| Power Supply | Dahua 2-wire switch (max. power supply distance is 50 m) 48 VDC, 1 A; PoE (802.3af/at) |
| Power Adapter | Optional |
| Installation | Flush Mount; Surface Mount |
| Certifications | CE |
| Accessory | Surface mount box (optional); flush mount box (optional); rain cover (optional) |
| Product Dimensions | 130 mm × 96 mm × 28.5 mm (5.12" × 3.78" × 1.12") |
| Protection | IK07; IP65 |
| Operating Temperature | -30°C to +60°C (-22°F to +140°F) |
| Operating Humidity | 10%–90% (RH), non-condensing |
| Operating Environment | Outdoor |
| Operating Altitude | 0 m–3000 m (0 ft–9842.52 ft) |
| Power Consumption | ≤4 W (standby), ≤5 W (working) |
| Gross Weight | 0.48 kg (1.06 lb) |
| Storage Temperature | 0 °C to +40 °C (+32 °F to +104 °F) |
| Storage Humidity | 30%–75% (RH), non-condensing |

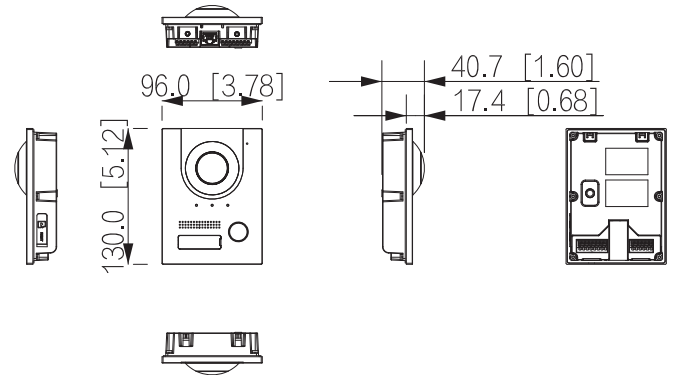
Ordering Information

| Type | Model | Description |
|-------------------------------|-------------------|-------------------------------------|
| 2-wire IP Villa Door Station | DHI-VTO2202F-P-S3 | 2-wire IP Villa Door Station |
| Accessories (Sold Separately) | VTM114 | Flush Mounted Box |
| | VTM115 | Surface Mounted Box |
| | VTM05R | Surface Mounted Box With Rain Cover |
| | DHI-VTNS2003B-2-A | 2-wire IP Switch |
| | DHI-VTNS1001B-2-A | 2-wire IP Switch |

Installation



Dimensions (mm[inch])



Application

