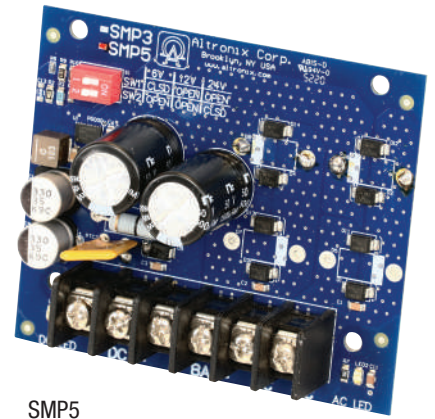


SMP5

Power Supply/Charger Board

Altronix SMP5 power supply/charger converts a low voltage AC input into a 6VDC, 12VDC or 24VDC output. This unit has a wide range of applications for access control, security and CCTV system accessories that require additional power.



SMP5

Specifications

Input

Voltage 16VAC to 28VAC

Outputs

Voltage 6VDC, 12VDC or 24VDC selectable
 Current 4A continuous max.
 Other Short circuit and thermal overload protection
 Filtered and regulated

Battery Charging

Type Sealed lead acid or gel type
 Failover Upon AC loss, instantaneous
 Batteries are sold separately

Indicators (LED)

Input Input voltage is present
 DC Output Powered

Physical and Environmental

Dimensions (L x W x H)

Board: 3.5" x 3" x 2" (88.9mm x 76.2mm x 50.8mm)
 Shipping: 8" x 6" x 5" (203.2mm x 152.4mm x 127mm)

Weight (approx.)

Product Weight: 0.35 lb. (0.16 kg)
 Shipping Weight: 0.45 lb. (0.20 kg)

Temperature

Operating: 0°C to 49°C (32°F to 120°F)
 Storage: -20°C to 70°C (-4°F to 158°F)

Relative Humidity

85% +/- 5%

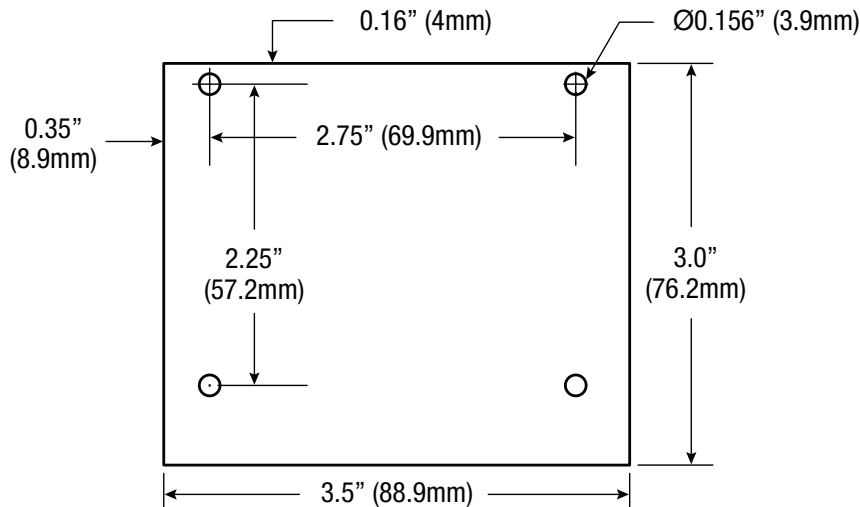
BTU/Hr (approx.):

6VDC: 13 BTU/Hr.
 12VDC: 25 BTU/Hr.
 24VDC: 49 BTU/Hr.

Dimensions and Drawing

Board Dimensions (L x W x H approximate)

3.5" x 3" x 2" (88.9mm x 76.2mm x 50.8mm)
 Mounting Holes' Tolerance: +/- 0.04 in. (1mm)



Lifetime Warranty