

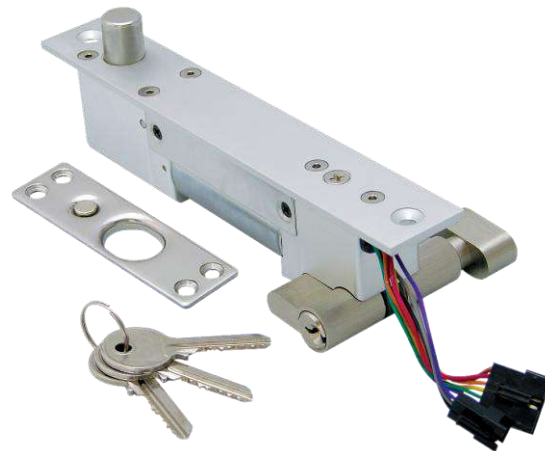
Fail-secure Electric Deadbolt

SD-997A-GBQ *Fail-Secure, 12/24 VDC*

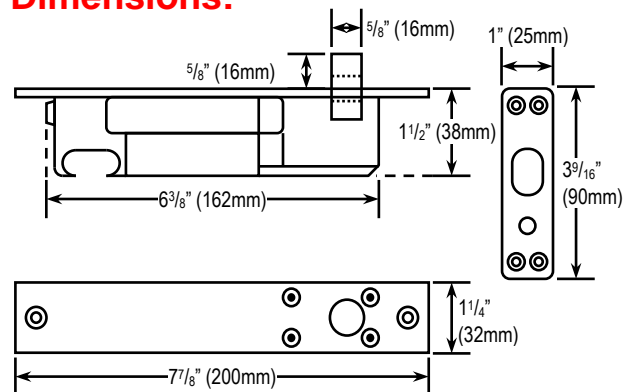
SECO-LARM Electric Deadbolts are designed for hollow metal door frames. They are not recommended for wooden door frames. However, the door can be wood or metal.

Features:

- Adds concealed deadbolt security to most wood or hollow metal doors, with the convenience of electrical operation
- Incorporates manual lock/unlock cylinder to operate the SD-997A-GBQ if power is lost (turn lock knob from inside protected premises and/or use key from outside protected premises)
- Stainless steel bolt, 5/8" diameter, 5/8" throw
- Fail-secure operation (locks if power is lost)
- Magnetic switch senses door position for positive locking
- Includes control wire which allows for releasing without cutting unit's power
- Attempts to relock multiple times if the door is not closed properly to prevent the solenoid from burning out. Once door closed properly will automatically lock
- Over-current protection 1.5A
- Door open/close monitor (NO/C/NC)
- Adjustable door lock delay timer (0,3,5, or 9 seconds)
- Use with an optional digital keypad for high security without a key. Easily connects to SECO-LARM Digital Keypads
- Suitable for office-type applications
- Shallow design for use with most metal door jambs
- Multi-directional horizontal or vertical mounting
- Powered by a solenoid
- Stainless steel for strength and long life
- Plug: Special conic cavity stainless steel (thickness 1.5mm~1.8mm)



Dimensions:



Specifications:

Model	SD-997A-GBQ	
Operation	Fail-secure	
Current draw	Standby	330mA@12VDC/205mA@24VDC
	Activated	880mA@12VDC/470mA@24VDC
Status sensor	SPDT, 250mA @ 12VDC (NO/NC/COM)	
Operating voltage	12/24 VDC	
Adjustable delay timer	0, 3, 5, 9 seconds	
Weight	2-lb 5-oz (1kg)	

Also Available from SECO-LARM®:

	SD-997B-GBQ
	Fail-safe, 12/24 VAC