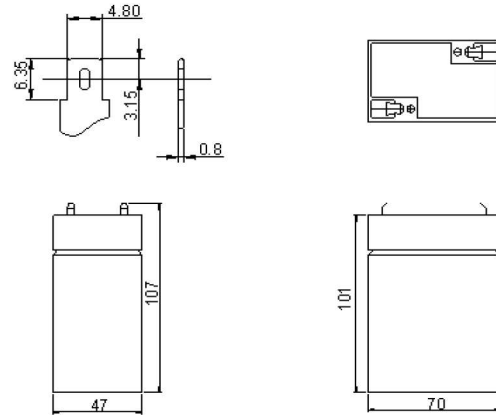


# PL6

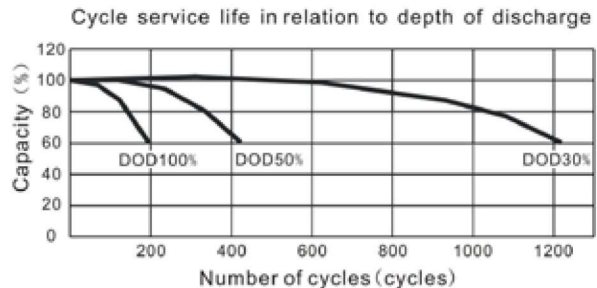
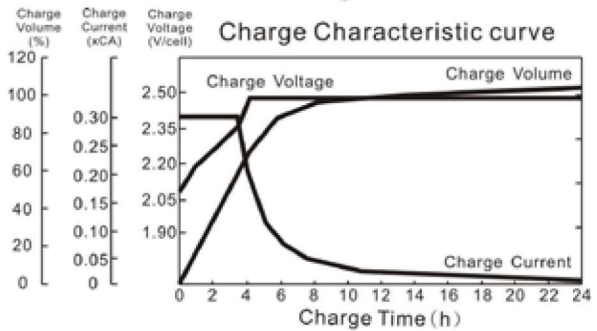
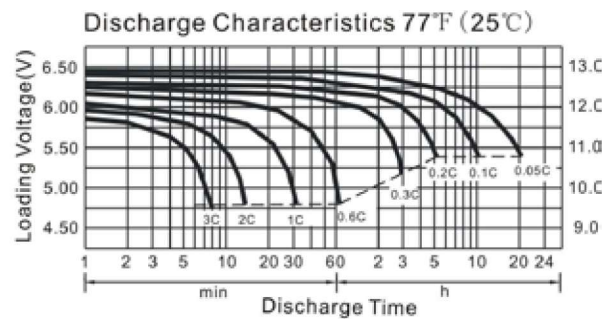


## Specifications

<b>Nominal Voltage</b>		<b>6V</b>
<b>Rated Capacity 77°F(25°C) (20HR)</b>		<b>4.5Ah</b>
<b>Dimensions (mm/inch)</b>	<b>Length</b>	<b>70 (2.76)</b>
	<b>Width</b>	<b>47 (1.85)</b>
	<b>Height</b>	<b>101 (3.98)</b>
	<b>Total Height</b>	<b>107 (4.21)</b>
<b>Approx. Weight (kg/lbs)</b>		<b>0.7 (1.54)</b>
<b>Terminal</b>		<b>T1/T2</b>

## Characteristic

<b>Capacity 77°F(25°C)</b>	<b>20HR (0.225A)</b>	<b>4.50Ah</b>
	<b>10HR (0.419A)</b>	<b>4.19Ah</b>
	<b>5HR (0.765A)</b>	<b>3.83Ah</b>
	<b>1HR (2.745A)</b>	<b>2.75Ah</b>
	<b>15 min rate (8.33A)</b>	<b>2.08Ah</b>
<b>Internal Resistance</b>	<b>Full Charged Battery 77°F(25°C)</b>	<b>Approx. 22mΩ</b>
<b>Temperature dependence of capacity (20HR)</b>	<b>104°F(40°C)</b>	<b>102%</b>
	<b>77°F(25°C)</b>	<b>100%</b>
	<b>32°F(0°C)</b>	<b>85%</b>
	<b>5°F(-15°C)</b>	<b>65%</b>
<b>Self-Discharge 68°F(20°C) (Capacity after)</b>	<b>3 months</b>	<b>90%</b>
	<b>6 months</b>	<b>80%</b>
	<b>12 months</b>	<b>60%</b>
<b>Max. Discharge Current, 77°F(25°C)</b>		<b>68A(5s)</b>
<b>Floating design life, 77°F(25°C)</b>		<b>5 years</b>
<b>Constant Voltage Charge, 77°F(25°C)</b>	<b>Cycle</b>	<b>7.25~7.45V(-12mV/°C) max. current: 1.35 A</b>
	<b>Float</b>	<b>6.8~6.9V(-9mV/°C)</b>



### Constant Current Discharge Characteristics (A), 77°F(25°C)

F.V/TIME	5min	10min	15min	30min	60min	2H	3H	5H	8H	10H	20H
1.60V/cell	17.10	10.80	8.33	4.50	2.85	1.61	1.18	0.792	0.527	0.432	0.232
1.70V/cell	16.25	10.26	7.96	4.30	2.75	1.55	1.15	0.779	0.522	0.428	0.230
1.75V/cell	15.93	10.04	7.81	4.21	2.70	1.52	1.13	0.765	0.513	0.419	0.227
1.80V/cell	15.62	9.81	7.67	4.13	2.66	1.49	1.11	0.752	0.509	0.414	0.225

### Constant Wattage Discharge Characteristics (Watt), 77°F(25°C)

F.V/TIME	5min	10min	15min	30min	60min	2H	3H	5H	8H	10H	20H
1.60V/cell	31.05	19.80	15.41	8.41	5.36	3.05	2.25	1.530	1.031	0.851	0.459
1.70V/cell	29.79	18.99	14.84	8.10	5.22	2.96	2.22	1.517	1.026	0.846	0.455
1.75V/cell	29.48	18.72	14.71	8.00	5.17	2.93	2.20	1.503	1.017	0.837	0.453
1.80V/cell	29.16	18.50	14.57	7.92	5.13	2.91	2.18	1.490	1.008	0.828	0.450