

# DH-PFA121

## Water-proof Junction Box



### Features

- Aesthetic design
- Material: aluminum
- IP66 junction box

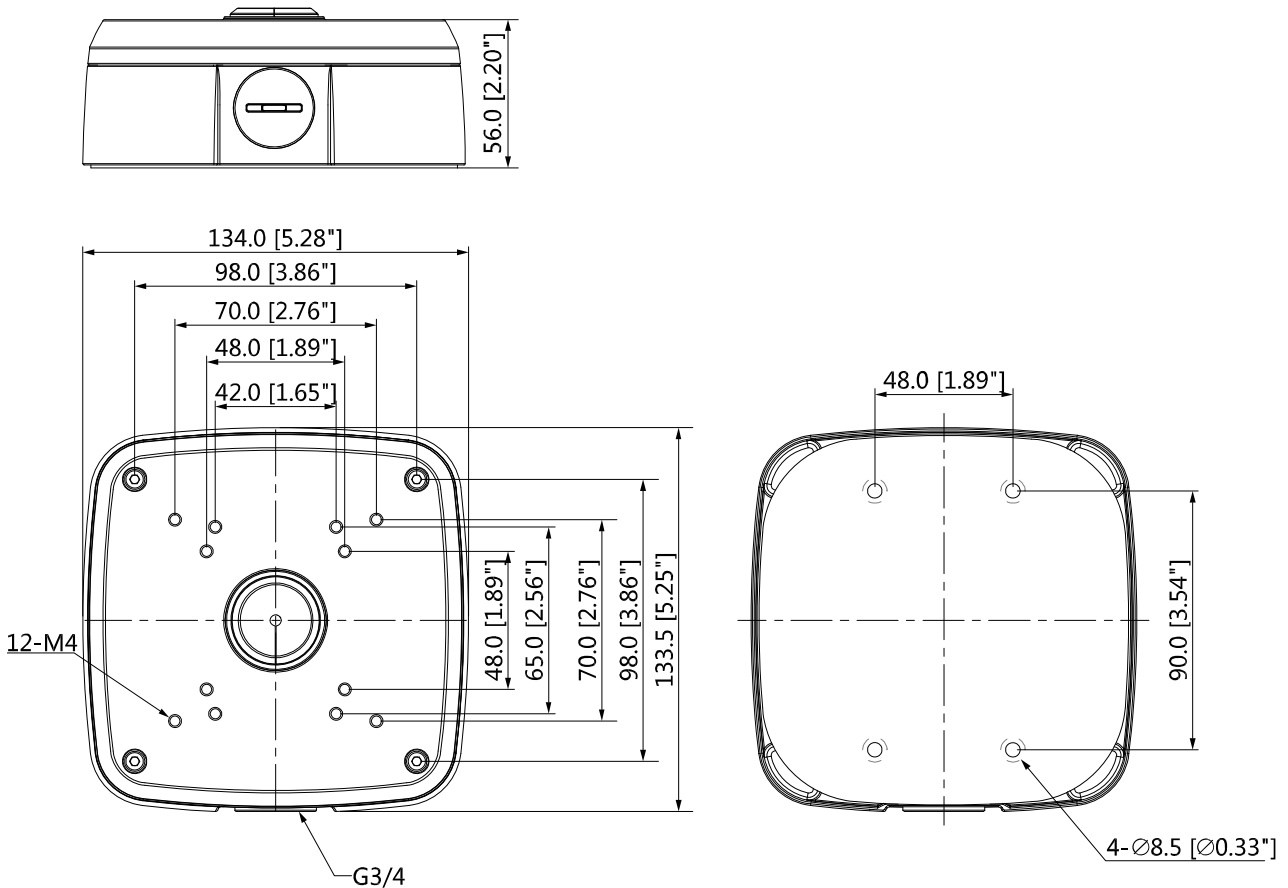
### Technical Specifications

|                       |  |
|-----------------------|--|
| <b>Model</b>          | <b>DH-PFA121</b>                           |
| <b>General</b>        |  |
| Material              | Aluminum                                   |
| Dimension (WxHxD)     | 134.0mmx133.5mmx56.0mm (5.28"x5.25"x2.20") |
| Pipe Thread           | G3/4"                                      |
| Weight                | 0.54kg(1.19lb)                             |
| Load Bearing          | 3.0kg(6.61lb)                              |
| Color                 | White                                      |
| Protection            | IP66                                       |
| Operating Temperature | -40°C~+60°C(-40°F~+140°F)                  |
| Humidity              | 0~90% RH                                   |
| Applicable Model      | Please see "Accessory Selection"           |

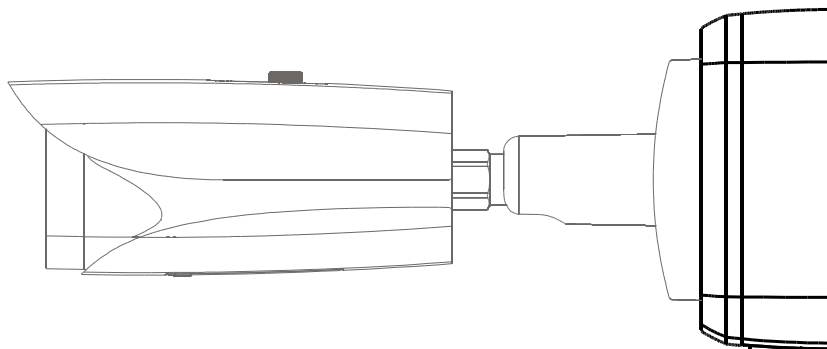
### Order Information

| Type         | Part Number | Description              |
|--------------|-------------|--------------------------|
| Camera Mount | DH-PFA121   | Water-proof junction box |
|              | PFA121      | Water-proof junction box |

### Dimensions (mm/inch)



### Application



### Package Information

- Water-proof junction box \*1
- M4x10 screw \*4
- ST6 screw \*4
- Plastic anchor \*4
- S3.0 wrench \*1