

# DH-PFA105

## Fisheye Adapter Plate



### Features

- Neat & Integrated design.
- Material: Aluminum.

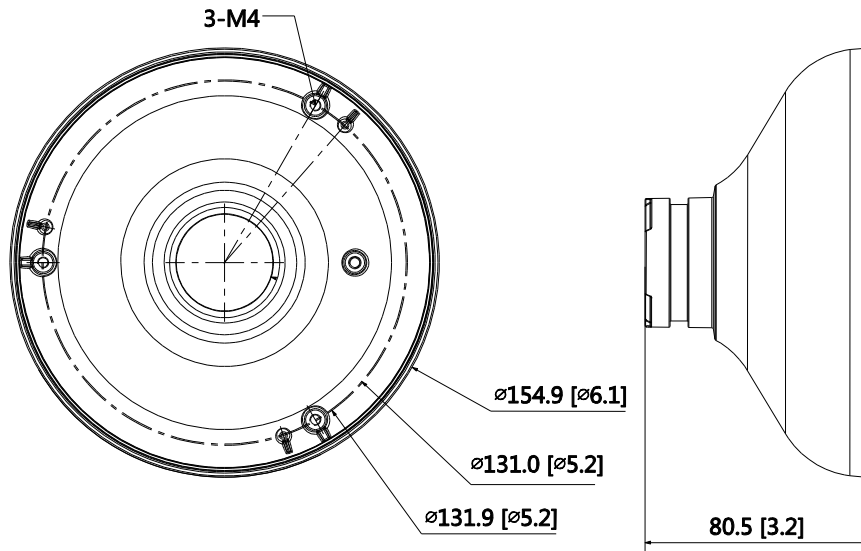
### Technical Specifications

<b>Model</b>	<b>DH-PFA105</b>
<b>General</b>	
Material	Aluminum
Dimension	Φ154.9mmx80.5mm (Φ6.1"x3.17")
Load Bearing	1kg (2.2lb)
Weight	0.26kg (0.57lb)
Color	White
Operating Temperature	-40°C ~60°C(-40°F ~+140°F)
Humidity	<90% RH
Applicable Model	Please see "Accessory Selection"

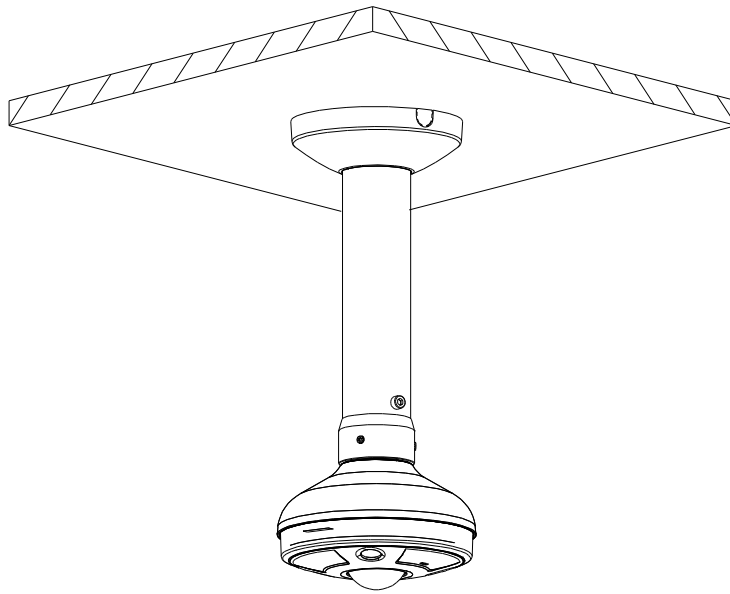
### Order Information

Type	Part Number	Description
Camera mount	DH-PFA105	Fisheye adapter plate _ Dahua brand
	PFA105	Fisheye adapter plate _ Neutral, no brand

### Dimensions (mm/inch)



## Application



Ceiling mount: PFA105+PFA110+PFB300C

## Package Information

- Fisheye adapter plate \*1

Package data	
Box Dimension	191mmx199mmx96mm (7.52"x7.83"x3.78")
Box Weight	0.32kg (0.71lb)
Protective Box Dimension	624mmx600mmx428mm (24.57"x23.62"x16.85")
Box In Protective Box	36 In 1