



**Two-way Wireless PGM  
2WPGM (433/868MHz)  
V1.1**

**Instructions**



**P R D O X™**

Printed in Canada 10/2015 www.paradox.com 2WPGM-EI05

The 2WPGM is a two-way wireless PGM, which also provides one zone input. After assigning the PGM module to a system, the PGM can be programmed to activate and deactivate, as detailed in the system's programming guide.

**Location and Mounting**

The 2WPGM must be installed within 35 m (115 ft.) of the control panel. Before you mount the 2WPGM, perform the signal strength tests to ensure optimal performance of the unit.

**⚠ Do not cut, bend, or alter the antenna.**  
**Avoid mounting the PGM module near or on metal, as this may affect transmission.**

**Powering the Unit**

The unit requires either AC or DC power input. For wire connections, see Figure 1.

AC: 6 Vac (500 mA) to 16.5 Vac (200 mA)  
DC: 5 Vdc (500 mA) to 24 Vdc (200 mA)

The external power supply used with this module must be of an Approved/Certified type, acceptable to the authorities where the module is installed and used.

**Enrollment and Testing**

Jumper 2 (JP2) is used for enrolling (Learn mode) and for testing signal strength.

**Learn Mode:** Remove and re-install JP2.


**Signal Strength:** Perform a transmission by temporarily removing and re-installing JP2, or by opening the zone that is connected to the PGM. To interpret the RSSI LED, see the LED Indicators table.


To test the signal strength of the 2WPGM at the control panel, see the control panel's programming guide.

**Normal Operation:** JP2 must be CLOSED for normal operation. 

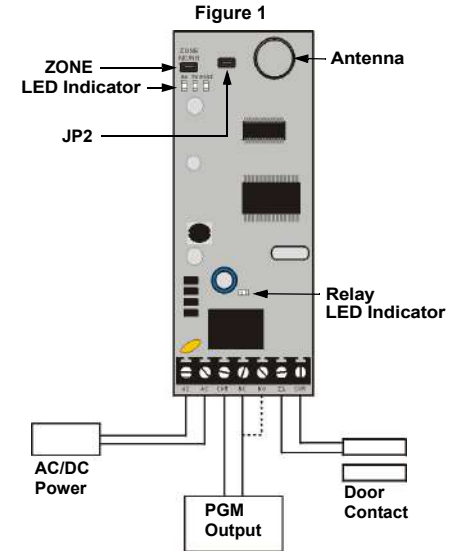
**Zone Setting**

ZONE Jumper determines the input setting of the zone.

**ZONE CLOSED** = Normally Closed (N.C.) zone  
(default) 

**ZONE OPEN** = Normally Open (N.O.)  
zone 

**⚠ Do not use EOL resistors with universal/zone inputs.**



## Technical Specifications

Specification	Description
Power Input	AC: 6 Vac (500 mA) to 16.5 Vac (200 mA) DC: 5 Vdc (500 mA) to 24 Vdc (200 mA)
RF Frequency	433 MHz, 868 MHz
Current Consumption	Relay ON: 45-160 mA Relay OFF: 6-20 mA
PGM	1 N.O./N.C. 5A, 28V relay
Relay's Maximum Voltage	60 Vdc/28 Vac
Operating Temperature	0°C to 50°C (32°F to 122°F)
Range	35 m (115 ft.) with MG6250 70 m (230 ft.) with MG5000 / MG5050 / RTX3
Compatibility	<ul style="list-style-type: none"> <li>MG6250, MG5000 and MG5050</li> <li>SP5500, SP6000, SP7000 and SP65 (RTX3 is required)</li> <li>EVO192 and EVOHD (RTX3 is required)</li> </ul>
Dimensions	12.5 cm x 4.6 cm x 2.5 cm (4.9 in. x 1.8 in. x 1.0 in.)
Certification	For updated information, visit <a href="http://www.paradox.com">www.paradox.com</a>

## LED Indicators

LED	Description
RX	Receiving information
TX	Sending information
RSSI	<b>Indicates signal strength</b> Flash twice      Strong signal Flash once      Weak signal No flash          No signal
Relay	Indicates that the relay is ON

## Warranty

The Limited Warranty Statement can be found on the website [www.paradox.com/terms](http://www.paradox.com/terms).

## Patents

Your use of the Paradox product signifies your acceptance of these terms and conditions.

One or more of the following US patents may apply: 7046142, 6215399, 6111256, 6104319, 5920259, 5886632, 5721542, 5287111, 5119069, 5077549 and RE39406 and other pending patents may apply. Canadian and international patents may also apply.

© 2015 Paradox Security Systems (Bahamas) Ltd. All rights reserved. Specifications may change without prior notice.