

MODEL: MCS2032B

Surface Mounted

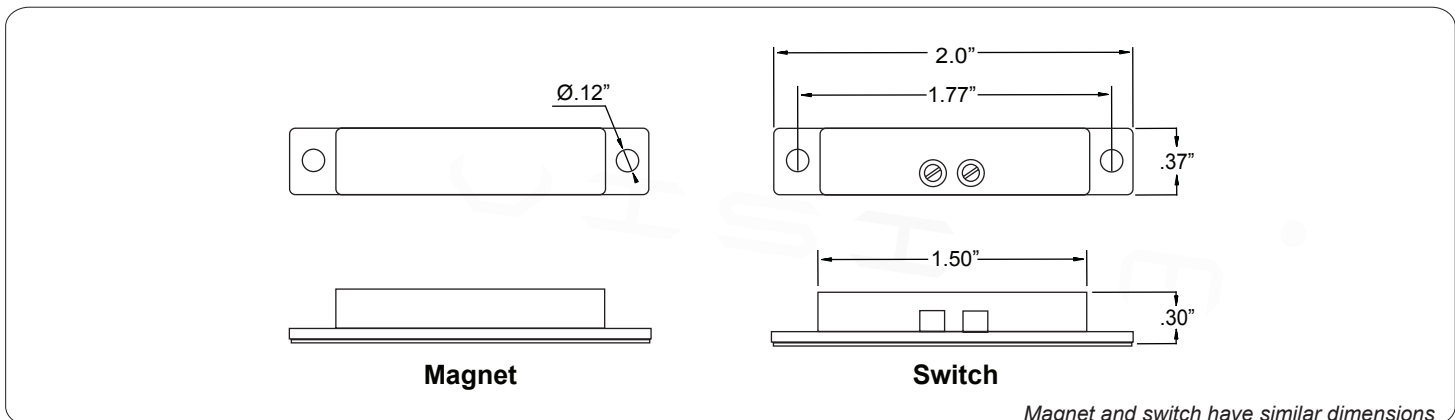


Specifications

- * Quick connect terminal block, 3/4" gap
- * 2"x.3"x.37"
- * Adhesive or screw mount
- * Break-away flanges
- * Colors: White or Brown



Dimensions



* Switches must be installed in a manner that a door or other movable opening cannot be opened more than 2 inches (51mm) without initiating an alarm. Exception: Overhead doors require more than one contact if either side is lifted more than 6 inches (152mm) without initiating an alarm. As per UL standard 681.

Max Voltage: 100 VAC/VDC

Max Current: 0.5 (A)

Contact Reed form: N/C