

# DHI-KTW04

## IP & Wi-Fi Video Intercom KIT



### Technical Specification

Model	DHI-VTO2211G-WP-S2
-------	--------------------

#### System

Main Processor	Embedded Processor
----------------	--------------------

Operating System	Embedded Linux OS
------------------	-------------------

Button Type	Mechanical
-------------	------------

Interoperability	ONVIF; CGI
------------------	------------

Network Protocol	SIP; P2P; IPv4; DNS; RTSP; RTP; TCP; UDP
------------------	------------------------------------------

#### Basic

Camera	1/2.8" 2 MP CMOS high definition, low illumination/WDR/color/IR
--------	-----------------------------------------------------------------

Field of View	H: 125°; V: 71°; D: 142°
---------------	--------------------------

WDR	120 dB
-----	--------

Noise Reduction	3D NR
-----------------	-------

Video Compression	H.264; H.265
-------------------	--------------

Video Resolution	Main stream: 720p, WVGA, D1, CIF Sub stream: 1080p, WVGA, D1, QVGA, CIF
------------------	----------------------------------------------------------------------------

Video Frame Rate	PAL: 25 fps; NTSC: 30 fps
------------------	------------------------------

Video Bit Rate	256 Kbps–8 Mbps
----------------	-----------------

Light Compensation	Auto IR
--------------------	---------

Day/Night	Auto(ICR)/Color/B/W;Color/B/W
-----------	-------------------------------

Audio Compression	G.711a; G.711u; PCM
-------------------	---------------------

Audio Input	1
-------------	---

Audio Output	Built-in speaker
--------------	------------------

#### IP & Wi-Fi Villa Door Station

- Thin lightweight design.
- Supports IR illumination and night vision.
- Two-way audio and voice call through app.
- Can be managed through the management platform; support voice call between App and the door station.
- Card unlock, unlock on the indoor monitor, and remote unlock through the App.
- Supports IP65(Silicone sealant is needed. For details, see the quick start guide).
- Supports 10000 cards.
- Support standard PoE power supply.
- Control two locks.
- Support wireless network.

#### IP & Wi-Fi Indoor Monitor

- 7" TFT capacitive touchscreen, 1024 × 600.
- 6-channel alarm input and 1-channel alarm output.
- Wi-Fi connection.
- Standard PoE.
- Outdoor station and IPC monitor.
- H.265 and H.264 video decoding.
- High performance and cost-effective.



Audio Mode	Two-way audio
------------	---------------

Audio Enhancement	Echo suppression/digital noise reduction
-------------------	------------------------------------------

Audio Bit Rate	16 KHz, 16 bit
----------------	----------------

#### Function

Communication Mode	Full digital
--------------------	--------------

Unlock Mode	Card; app; indoor monitor
-------------	---------------------------

Card Type	IC card
-----------	---------

Auto Snapshot	Yes
---------------	-----

Leave Videos	Yes (SD card is inserted in the indoor monitor or door station)
--------------	-----------------------------------------------------------------

Wi-Fi	Yes
-------	-----

Wireless Standard	IEEE802.11b/802.11g/802.11n
-------------------	-----------------------------

Wireless Frequency Range	2.4 GHz
--------------------------	---------

Max Transmission Power	≤20dBm@2400-2483.5MHz
------------------------	-----------------------

Storage	Supports Micro SD card (up to 256 GB)
---------	---------------------------------------

Web Configuration	Yes
-------------------	-----

#### Performance

Card Reading Distance	0 cm–4.3 cm (0"–1.69")
-----------------------	------------------------

Issue Card Locally	Yes
--------------------	-----

Casing Material	PC + Acrylic
Capacity	
Card Capacity	10000
Port	
RS-485	1
Alarm Input	1
Alarm Output	1
Power Output	1 port, 12 V and 200 mA
Exit Button	1
Door Status Detection	1
Lock Control	1 port, normally closed by default
Network Port	1 × 10M/100M network port

## Alarm

Tamper Alarm	Yes
--------------	-----

## General

Appearance Color	Black plate and silvery frames
Power Supply	12 VDC, 1 A Standard PoE
Power Adapter	Optional
Installation	Surface Mount
Certifications	CE
Accessory	Included: Alarm power ribbon cable, brackets
Product Dimensions	150.0 mm × 100.0 mm × 25.4 mm (5.91" × 3.94" × 1.00")
Protection	IP65 (silicone sealant is needed, see the quick start guide)
Operating Temperature	-30 °C to +60 °C (-22 °F to +140°F)
Operating Humidity	10%–90% (RH), non-condensing
Operating Altitude	Beneath 3,000 m (9842.52 ft)
Operating Environment	Outdoor
Power Consumption	≤ 1 W (standby), ≤ 7 W (working)
Gross Weight	510 g (1.12 lb)
Anti-corrosion Level	Basic Protection

Model	DHI-VTH2621G-WP
-------	-----------------

## System

Main Processor	Embedded Processor
Operating System	Embedded Linux OS
Interoperability	ONVIF
Network Protocol	RTSP; DNS; RTP; SIP; SSH

## Basic

Screen Type	Capacitive Touchscreen
Display Screen	7" TFT
Screen Resolution	1024 (H) × 600 (V)
Audio Compression	G.711a; G.711u; PCM
Audio Input	1
Audio Output	Built-in speaker
Audio Mode	Two-way audio
Audio Enhancement	Echo suppression
Audio Bit Rate	16 KHz; 16 bit

## Function

Communication Mode	Full digital
Information Release	Receive and view text information released by the management center
DND Mode	Do not disturb period can be set; Do not disturb mode can be set
Number of Extensions	Villa: 9 Apartment: 4 Wi-Fi intercom: 1 main monitor, 2 extension monitors
Wi-Fi	Yes
Wireless Standard	IEEE802.11b/802.11g/802.11n
Wireless Frequency Range	2.4 GHz
Max Transmission Power	≤20dBm@2400-2483.5MHz
Storage	Micro SD Card, Max 64 GB (reserved for software)

## Port

Alarm Input	6
Alarm Output	1
Door Bell	Yes (use any alarm input port)
Network Port	1 × RJ-45, 10/100 Mbps self-adaptive port

## Performance

Casing Material	PC + ABS
-----------------	----------

## General

Appearance Color	Black
Power Supply	12 VDC, 1 A Standard PoE
Power Adapter	Optional
Installation	Surface Mount
Certifications	CE; FCC
Accessory	Bracket (included) Alarm ribbon cable (included)
Product Dimensions	189.6 mm × 134.6 mm × 26.0 mm (7.46" × 5.30" × 1.02")

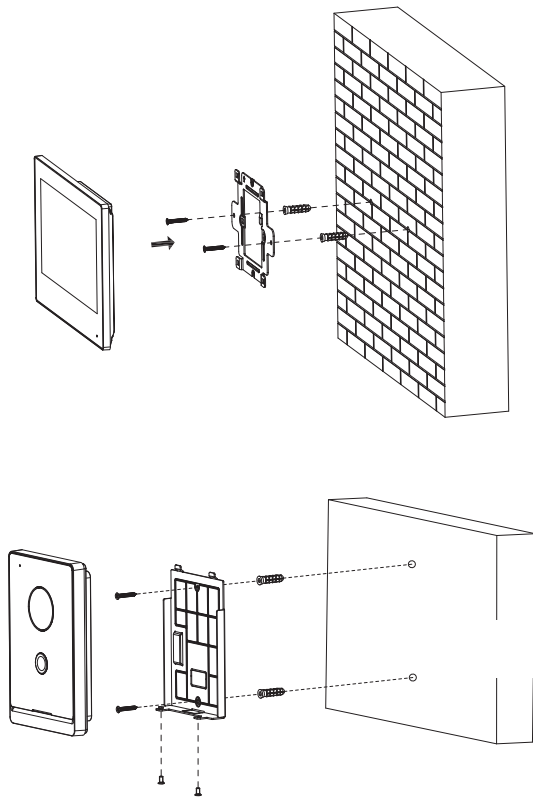
# Video Intercom KIT | DHI-KTW04

Operating Temperature	-10 °C to +55 °C (+14 °F to +131 °F)
Operating Humidity	10%–95% (RH), non-condensing
Operating Altitude	Beneath 3,000 m (9,842.52 ft)
Power Consumption	≤ 2 W (standby); ≤ 6 W (working)
Gross Weight	575 g (1.27 lb)
Anti-corrosion Level	Basic Protection

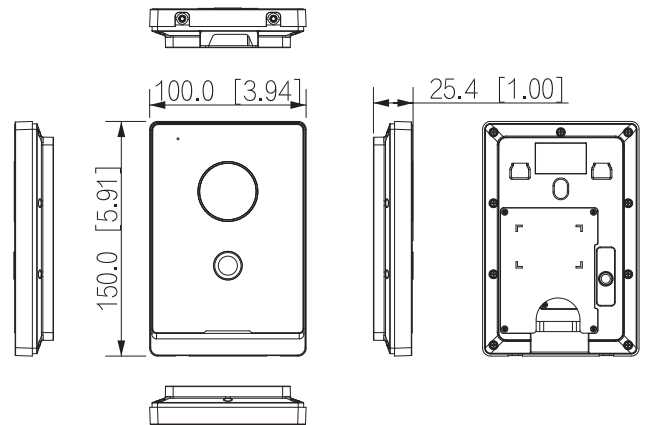
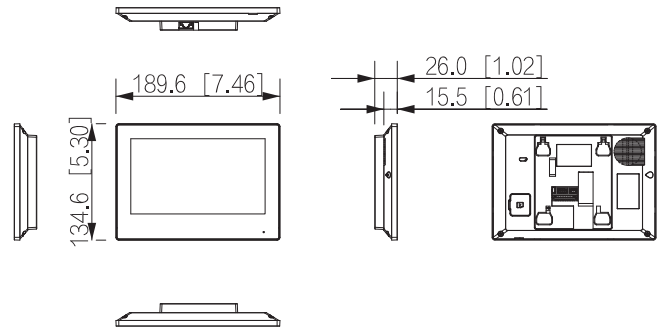
## Ordering Information

Type	Model	Description
KIT	DHI-KTW04	IP & Wi-Fi Video Intercom KIT

## Installation



## Dimensions (mm[inch])



## Application

