



CAMEL SECURITY

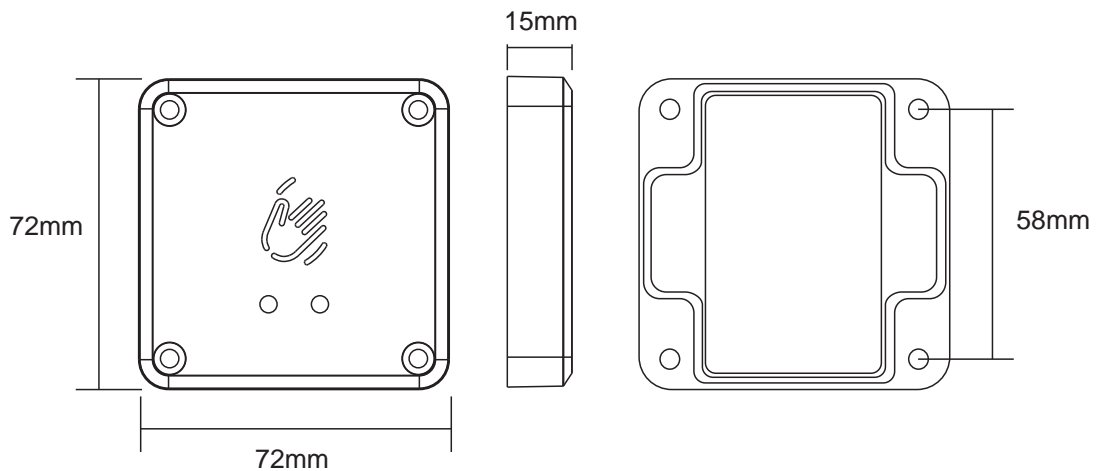
Touchless Sensor Exit Button

Model: KM72-W

Specification

- **Dimensions:** 72L*72W*15H(mm)
- **Power:** DC12/24V
- **Output Contact:** NO/NC/COM
- **Waterproof:** IP68
- **Mechanical Life:** 500,000 Tested
- **Mounting Way:** Surface Mount
- **Material:** Aluminium alloy
- **Weight:** 0.18kg
- **Operating Temp:** -20℃~+55℃ (-4-131F)
- **Operating Humidity:** 0-95%(relative humidity)
- **Sensitive Distance:** 5-20cm (Adjustable)
- **LED Indicator:** Blue LED (Standby)
Green LED (Active)
- **Time delay:** 0~30s (Adjustable)
- **Package Quantity:** 100PCS/ctn

Product Dimension



Instructions



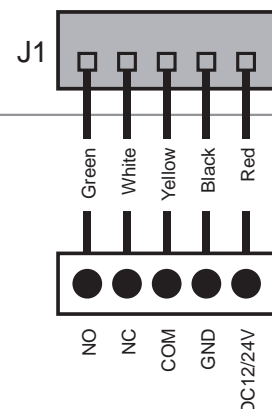
VR1: Time Delay

- ☑ Turn left short
- ☑ Turn right long



VR2: Sensitive Distance

- ☑ Turn left near
- ☑ Turn right far



(Standby)



(Active)

