

DH-HAC-HDW1509T-IL-A

5MP Smart Dual Illuminators Eyeball Camera



* The parameters and datasheets below can only be applied to 1509-IL series.
 * In order to use the 5MP 16:9 HDCVI camera, the firmware of XVR must be upgraded to V4.001.0000001.0.R.200908 or later version.

- Max 25 fps@5MP (16:9 video output).
- 120 dB true WDR, 3D NR.
- Smart Dual Illuminators.
- 40 m illumination distance.
- Super Adapt.
- Built-in MIC.
- 3.6 mm fixed lens (2.8 mm optional).
- CVI/CVBS/AHD/TVI switchable.
- IP67, 12 VDC.



System Overview

The Lite Series is a great choice for consumers looking for high quality monitoring products at a reasonable price. Its low cost and high performance make it ideal for residential areas and SMB solutions. This series is equipped with a wide range of technologies, such as full-color and starlight, providing various solutions for different scenarios.

Functions

Smart Dual Illuminators

With its smart dual illumination mechanism, the camera automatically turns on the white light when Perimeter Protection/SMD Plus function of AI XVR detects a target in the rule area to capture clear, vivid images. When the target leaves the rule area, the camera automatically switches over from the white light to the IR illuminator to significantly reduce light pollution.

Wide Dynamic Range

With its advanced Wide Dynamic Range technology (WDR), the camera captures highly detailed images and produces high-definition recordings in high-contrast lighting conditions, and in scenes with backlighting or shadows.

Broadcast-quality Audio

Audio signal transmission over coaxial cables is supported by the HDCVI camera. It adopts a unique audio processing and transmission technology that restores source audio and eliminates noise, ensuring the quality and reliability of the audio information that is collected. This becomes important for video surveillance applications that use audio information as a type of supplementary evidence.

Super Adapt

With its intelligent algorithm, the camera automatically adjusts its parameters to provide optimal performance and vivid images.

Advanced 3DNR

Dahua's advanced 3DNR technology reduces image noise with little to no impact on image sharpness, especially in poor lighting conditions. It detects the noise, and compares the sequential frames to effectively reduce the noise. It also makes efficient use of bandwidth, saving on storage space.

Protection (IP67, Wide Voltage)

IP67: The camera passed a series of rigorous dust and immersion tests. Its enclosure is both dust-proof and waterproof, and can function normally while being immersed in 1 m deep water for up to 30 minutes.
 Wide voltage: The camera has $\pm 30\%$ input voltage tolerance (for some power supplies) and a wide voltage range, making it suitable for a variety of outdoor scenarios.

4 Signals over 1 Coaxial Cable

HDCVI technology supports 4 signals (video, audio*, data and power) which are simultaneously transmitted over a coaxial cable. Dual-way data transmission allows the HDCVI camera to interact with the XVR to perform various actions such as sending control signals and triggering alarms. HDCVI technology also supports PoC, which makes the camera easy and quick to install.

* Audio input is available for select HDCVI camera models.

Long Distance Transmission

HDCVI technology provides long distance transmission in real time without transmission loss. It supports transmission distances up to 700 m for 2-MP/5-MP/8-MP HD videos through coaxial cables, and up to 300 m through UTP cables. The results were obtained and verified through rigorous testing in Dahua's test laboratory.

Technical Specification

Camera

| | |
|----------------------------|---|
| Pixel | 5MP |
| Image Sensor | 5MP CMOS |
| Max. Resolution | 2880 (H) × 1620 (V) |
| Scanning System | Progressive |
| Electronic Shutter Speed | PAL: 1/3 s–1/100000 s NTSC: 1/4 s–1/100000 s |
| Min. Illumination | 0.001 lux@F1.0 (Color, 30 IRE) 0.0001 lux@F1.0 (B/W, 30 IRE) 0 lux (Illuminator on) |
| S/N Ratio | >65dB |
| Illumination Distance | IR: 40 m (131.23 ft) Warm light: 40 m (131.23 ft) |
| Illuminator On/Off Control | Auto; manual |
| Illuminator Number | 2 (IR light) |
| | 2 (Warm light) |
| Pan/Tilt/Rotation Range | Pan: 0°–360° Tilt: 0°–78° Rotation: 0°–360° |

Lens

| | | | | | |
|----------------------|---|-----------------------|-----------------------|----------------------|---------------------|
| Lens Type | Fixed-focal | | | | |
| Mount Type | M12 | | | | |
| Focal Length | 2.8 mm; 3.6 mm | | | | |
| Max. Aperture | F1.0 | | | | |
| Field of View | 2.8 mm: H: 111°; V: 57°; D: 131° 3.6 mm: H: 89°; V: 47°; D: 104° | | | | |
| Iris Control | Fixed | | | | |
| Close Focus Distance | 2.8 mm: 1.5 m (4.92 ft) 3.6 mm: 2.2 m (7.22 ft) | | | | |
| DORI distance | Lens | Detect | Observe | Recognize | Identify |
| | 2.8 mm | 66.0 m (216.54 ft) | 26.4 m (86.61 ft) | 13.2 m (43.31 ft) | 6.6 m (21.65 ft) |
| | 3.6 mm | 78.0 m (255.91 ft) | 31.2 m (102.36 ft) | 15.6 m (51.18 ft) | 7.8 m (25.59 ft) |

Video

| | |
|------------------|---|
| Video Frame Rate | CVI: PAL: 5M@25 fps; 4M@25 fps; 1080p@25 fps NTSC: 5M@25 fps; 4M@30 fps; 1080p@30 fps; AHD: PAL: 4M@25 fps; NTSC: 4M@30 fps; TVI: PAL: 4M@25 fps; NTSC: 4M@30 fps; CVBS: PAL: 960H; NTSC: 960H |
| Resolution | 5M (2880 × 1620); 4M (2560 × 1440); 1080p (1920 × 1080); 960H (960 × 576/960 × 480) |
| Day/Night | Auto (ICR)/Color/B/W |

| | |
|-------------------|-------------------------------|
| BLC | BLC; HLC; WDR; HLC-Pro |
| WDR | 120 dB |
| White Balance | Auto; Area white balance |
| Gain Control | Auto; manual |
| Noise Reduction | 3D NR |
| Defog | Electronic defog |
| Digital Zoom | 4× |
| Mirror | Yes |
| Privacy Masking | Off/On (8 areas, rectangle) |
| Illumination Mode | Smart IR&WL; WL Mode; IR Mode |

Certifications

| | |
|----------------|--|
| Certifications | CE (EN55032:2015, EN61000-3-2:2014, EN61000-3-3:2013, EN55024:2010+A1:2015, EN55035:2017, EN50130-4:2011+A1:2014, EN62368-1:2014+A11:2017) FCC (CFR 47 FCC Part 15 subpartB, ANSI C63.4-2014) UL (UL62368-1+CAN/CSA C22.2 No.62368-1-14) |
|----------------|--|

Port

| | |
|--------------|--|
| Video Output | Video output choices of CVI/TVI/AHD/CVBS by one BNC port |
| Audio Input | One channel built-in MIC |

Power

| | |
|-------------------|----------------------------|
| Power Supply | 12 VDC ± 30% |
| Power Consumption | Max 5.7 W (12 VDC, LED on) |

Environment

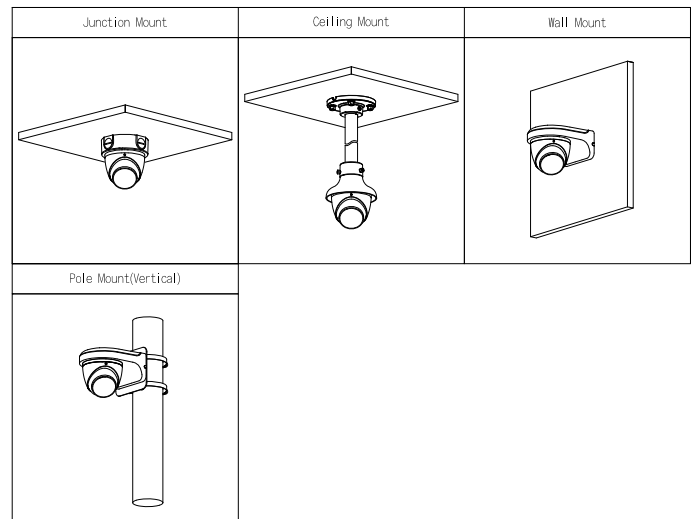
| | |
|-----------------------|-------------------------------------|
| Operating Temperature | –40 °C to +60 °C (–40 °F to 140 °F) |
| Operating Humidity | <95% (RH), non-condensing |
| Storage Temperature | –40 °C to +60 °C (–40 °F to 140 °F) |
| Protection | IP67 |

Structure

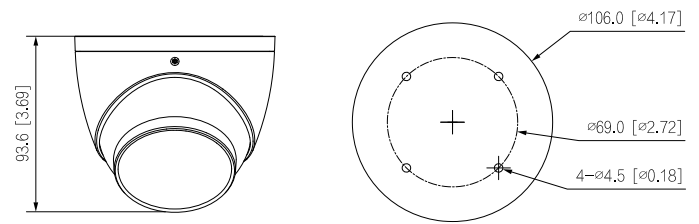
| | |
|----------------------|--|
| Casing Material | Metal |
| Product Dimensions | Φ106.0 mm × 93.6 mm (Φ4.17" × 3.69") |
| Packaging Dimensions | 148 mm × 139 mm × 137 mm (5.83" × 5.47" × 5.39") |
| Net Weight | 0.49 kg (1.08 lb) |
| Gross Weight | 0.66 kg (1.46 lb) |
| Installation | Wall mount; ceiling mount; vertical pole mount |

Ordering Information

| Type | Part Number | Description |
|---------------------------|-----------------------|---|
| SMP Camera | DH-HAC-HDW1509TP-IL-A | 5MP Smart Dual Illuminators Eyeball Camera, PAL |
| | DH-HAC-HDW1509TN-IL-A | 5MP Smart Dual Illuminators Eyeball Camera, NTSC |
| Accessories (Optional) | PFA130-E | Water-proof Junction Box |
| | PFB204W | Wall Mount Bracket |
| | PFA106 + PFB220C | Adapter Plate of Mini Dome & Eyeball Camera + Ceiling Mount Bracket of Mini Dome & Eyeball Camera |
| | PFA152-E + PFB204W | Pole Mount Bracket + Wall Mount Bracket |
| | PFM800-E | Passive HDCVI Balun |
| | PFM321D | 12V 1A Power Adapter |
| | PFM904 | Integrated Mount Tester |



Dimensions (mm[inch])



Accessories

Optional:



PFA130-E
Water-proof
Junction Box



PFB204W
Wall Mount
Bracket



PFA106 + PFB220C
Adapter Plate of
Mini Dome & Eyeball
Camera + Ceiling
Mount Bracket of
Mini Dome & Eyeball
Camera



PFA152-E + PFB204W
Passive HDCVI
Balun



PFM800-E
Passive HDCVI
Balun



PFM321D
12V 1A Power
Adapter



PFM904
Integrated Mount
Tester