



Fingerprint Access Control System

Model:G2-FW/G2-TFW

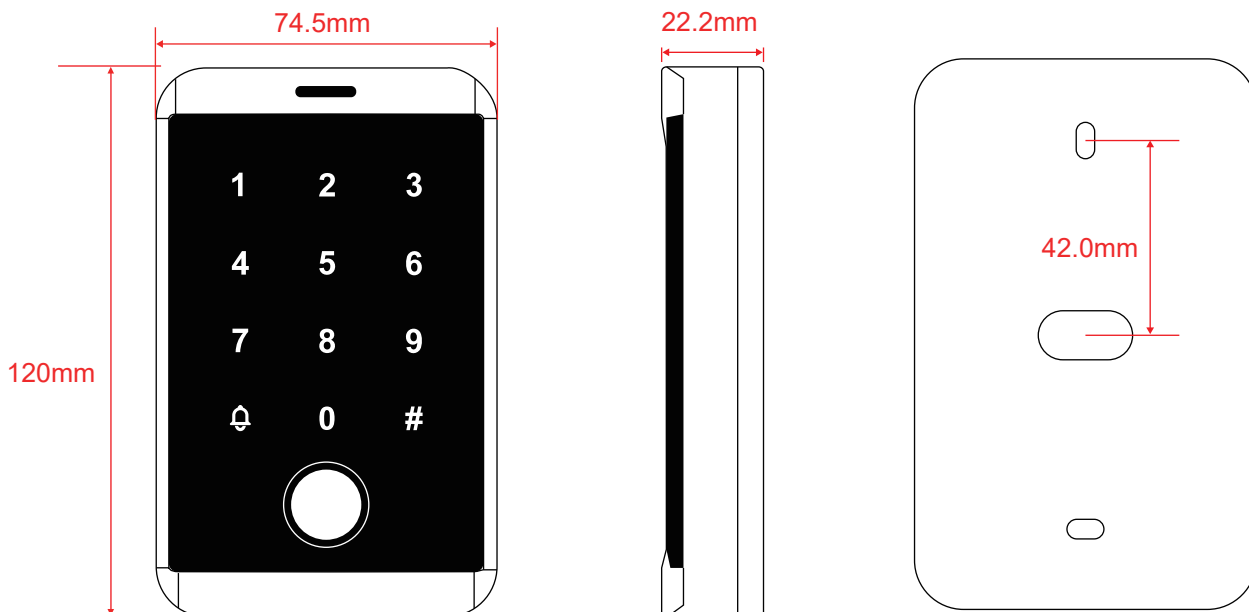
Large user capacity
 IP68 waterproof rating
 Touch panel, metal body
 Support fingerprint recognition,
 swipe card, password.
 Optional ID/IC
 Support data copy



▶ Product parameters

Model	G2-FW	G2-TFW (Optional)
Dimensions	120*74.5*22.2mm	120*74.5*22.2mm
User capacity	10000 users	10000 users
Card reading type	Dual Band Card (ID+IC)	Dual Band Card (ID+IC)
Product Material	Touch panel, metal body	Touch panel, metal body
Open mode	Fingerprint / Swipe card / password	Fingerprint / Tuya APP / Swipe card / password

▶ Dimensions



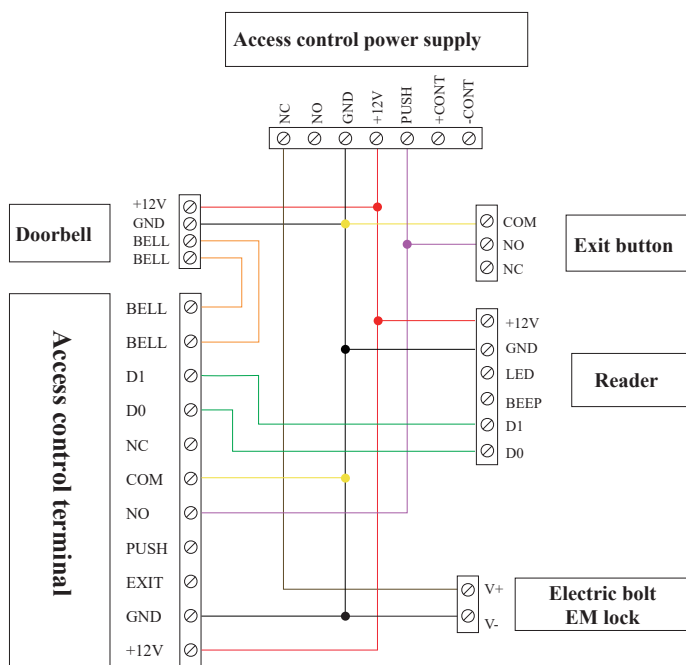
Fingerprint Access Control System

▶ Connecting Wires

S/N	Color	Mark	Function description
1	Red	POWER	Power supply positive
2	Black	GND	Power supply negative
3	Blue	EXIT	Exit button
4	Gray	PUSH	Low level trigger
5	Purple	NO	Relay normally open
6	Yellow	COM	Relay common terminal Relay common terminal
7	Brown	NC	Relay normally close
8	Green	D0	Reader signal D0
9	White	D1	Reader signal D1
10	Orange	BELL	Doorbell
11	Orange	BELL	Doorbell

▶ Wiring Diagram

【1】 Connecting professional access control power supply (the lock connect with power supply)



【2】 If it's general power supply, the lock could connect the access controller directly.

