

2MP HD IR Bullet Camera

DLX-V727ST

dLux®

Equipos y Accesorios para Video- Vigilancia

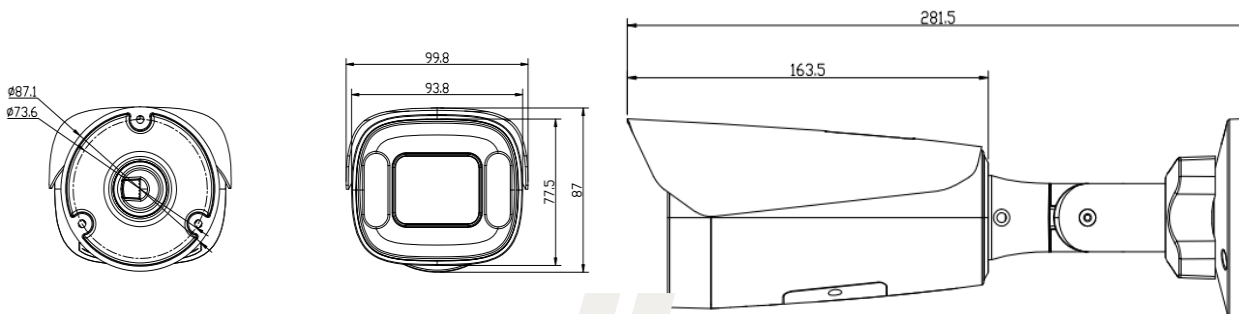
Features

- ▶ 2MP HD Analog output(CVI),TVI,AHD,with OSD cable ,easy to change the mode
- ▶ 1/2.8" High-Performance Sony CMOS
- ▶ Low illumination,**Starlight**
- ▶ No Delay,Lossless,Long Distance transmission Up to 400M
- ▶ 2.8-12 mm Lens
- ▶ Support ICR/DNR /DWDR



Parameter	Name	Description
Camera	Image Sensor	1/2.8" 2MP Progressive CMOS(IMX291)
	Resolution	1920*1080
	System	Default NTSC,support PAL
	Minimum Illumination	0.001Lux @ (F1.2,AGC ON),0 Lux with IR
	Electronic shutter	PAL: 1/25s to 1/50,000s; NTSC: 1/30s to 1/60,000s
	Lens	2.8-12mm
	IR LEDs	6 PCS Array Leds
	SNR	>52 dB
	IR distance	60 m
	Video Frame Rate	1080P@25fps, 1080P@30fps
	4 in 1 with OSD cable	Default CVI, support TVI,AHD,CVBS
Menu	D&N	Support ICR EXT/Auto / Color/ BW (Black and White)
	WDR	DWDR
	White Balance	ATW / MWB
	BLC	Support
	Image Setting	Brightness, Sharpness, Digital Noise Reduction,color,Saturation
	Language	English
General	Power Supply	12VDC ± 10 %;
	Video Output	1.0Vp-p Composite Output (75Ω / BNC)
	Operating Conditions	(-20° C to 60° C), Humidity 90% or less (non-condensing)
	Protection Level	IP66
	Power Consumption	Max. 8W(IR on)
	Dimensions	282*100*87mm

Dimension:



dLux®

