

Datasheet

A22K - 2 Door/4 Reader IP Controller

Product Description

The ATRIUM A22K two door IP controller works perfectly with the most popular Wiegand card readers or with the embedded KRYPTO high-security solution, providing the best of both worlds in access control.

KRYPTO is the easiest solution to manage DESFire® EV2/EV3 smart credentials on the market making worries of card cloning a thing of the past. The auto-restore of encryption keys upon power failure ensures an effortless system start up and management.

Additionally, the A22K can easily be converted to an Elevator Controller (A22KEC), Schlage Door Handle Controller (ADH2K), or Aperio Door Handle Controller (A2PK) as needed. ATRIUM's efficiency will simplify your life.

Key Features

- Supports 2 doors & 4 readers (read in/read out with KRYPTO readers)
- End-to-end AES encryption (when combined with KRYPTO readers)
- Embedded secure HTTPS (SSL/TLS) web server
- Includes free ATRIUM software, updates & 5 Mobile-PASS per site
- Up to 500 doors, 10,000 users & cards
- Pre-assembled plug-in power supply
- App to unlock doors with a phone (when combined with KRYPTO mobile-ready readers)

KRYPTO HIGH SECURITY SOLUTION **ATRIUM** ACCESS CONTROL



System Capacity	
Users / Cards	10,000 / 10,000
Access Levels	1,000
Holidays	100
Schedules (100 time periods each)	250
Event Buffer	25,000
Floor levels	256
Areas	10



Certification



Certification



DEEE



Certification



-4°F to 158°F
(-20°C to 70°C)

Communication

On-board Ethernet: 10/100 Base-T, Auto Sensing, 100 m (300 ft)
Local BUS: RS485 communication for expanders

Input Specifications

Reader/Keypad Ports (Wiegand or RS485): 2
Multi-purpose inputs: 2 (4 using zonedoubling)

Output Specifications

Lock outputs: 2 (750 mA @12 VDC/each)
Relay outputs: 2 Form C relays, 5A @250 VAC, 7A @125 VAC, 7A @30 VDC
Reader Outputs (Wiegand): 6 x 50 mA Open collector output
Multi-purpose outputs: 2 x 50 mA Open collector output

On-board Protection (all fuseless and auto-resume)

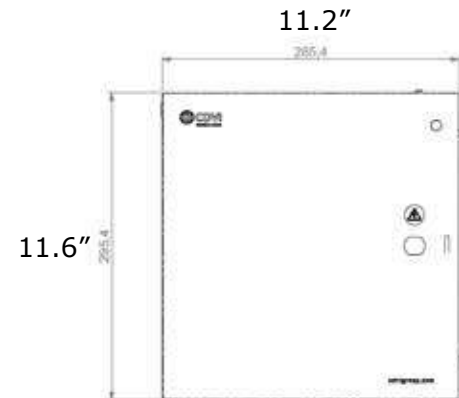
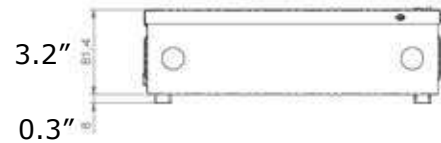
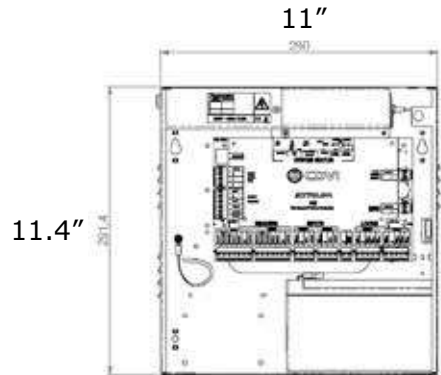
LK1 & LK2 12 VDC @ 750 mA
Auxiliary outputs: 1A (12 VDC) fuseless protection
Battery: Against reversal, short, current limited/monitored

Electrical Specifications

Power input: 120 VAC to 240 VAC, 50/60Hz
Power output: 24 VDC, 2.5 A
AC Terminal Fuse: 250 VA, 2.5 A. Time Lag, Slow Blow
Power Loss Indicator: Yes (DC IN)
Battery backup: One 12 VDC, 7 Ah, gel cell batteries

Recommended Wiring

Equipment	Wire Type	Size	Maximum Length
Card reader and Wiegand keypad	4 to 8 conductors, stranded, shielded (foil), drain conductor. For example: Alpha 5196, 5198, 5386, 5388, Belden 9553	22AWG (0.64mm) to 18AWG (1.02mm)	150m (500ft.)
Zone input	2 conductors, copper 22AWG (0.64mm)	22AWG (0.64mm)	600m (2000ft.)
Door strike	2 conductors, solid copper 18AWG (1.02mm)	18AWG (1.02mm)	150m (500ft.)
Power Supply	3 conductors, solid copper 18AWG (1.02mm)	14AWG (1.63mm)*	8m (25ft.)
Ethernet	CAT 5/5e	-	100m (300ft)
RS485 bus, Star or Daisy Chain (no BIAS/EOL required)	CAT 5/5e or 4 pairs	24AWG (0.51mm)	1220m (4000ft.)
	4 conductors, copper	26AWG (0.40mm) to 18AWG (1.02 mm)	



All the information contained within this document (pictures, drawings, features, dimensions, specifications), could be perceptibly different and can be changed without prior notice. Published: 09 May 2025. CDVI_A22K_DS_01_EN-FR_LETTER_C

Datasheet

K1BT - KRYPTO Mobile-Ready Mullion Reader

Product Description

The KRYPTO K1BT is a mobile-ready card reader, which when combined with CDVI's EV2 credentials, offers a user friendly high-security solution.

CDVI's secure protocol ensures end-to-end encryption by safeguarding encryption keys between the credential, reader, and A22K controller.

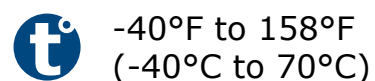
The K1BT is compatible with the ATRIUM BT mobile app and the KRYPTO Mobile-PASS, allowing users to unlock doors with their smartphones.

KRYPTO
HIGH SECURITY SOLUTION



Key Features

- Reads KRYPTO Mobile-PASS, 13.56 MHz MIFARE® Classic and DESFire® EV1/EV2 credentials
- Technology: bluetooth and NFC
- Epoxy sealed
- OSDP-2 compatible
- Audible and visual feedback



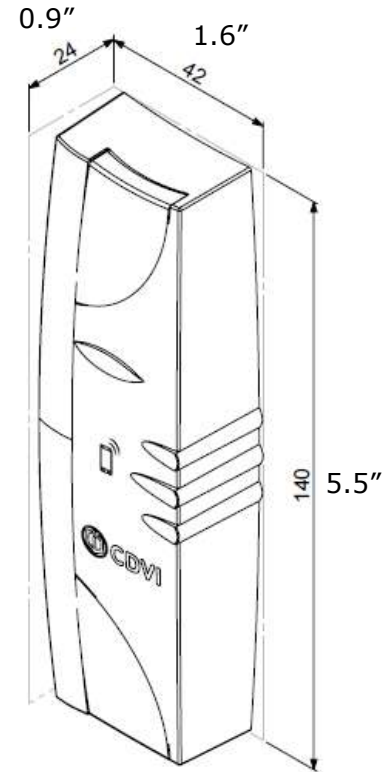
All the information contained within this document (pictures, drawings, features, dimensions, specifications), could be perceptibly different and can be changed without prior notice. Published: 25 February 2025. CDVI_K1BT_DS_02_EN_LETTER_C

Product Specifications

Material:	Polycarbonate
Mounting:	Surface
Technology:	MIFARE® DESFire® EV2 13.56 MHz
Security level:	KRYPTO (default), OSDP2
Connection:	RS485
Read range:	Up to 2" (5 cm)
Weight:	4.1 oz, 118 g

Electrical Specifications

Power input:	12V DC
Consumption:	200 mA



Accessories



AMC25

ATRIUM Mobile Credential License



METALD

MIFARE® DESFire® EV2 tag



TAG-EV2

MIFARE® DESFire® EV2 tag

All the information contained within this document (pictures, drawings, features, dimensions, specifications), could be perceptibly different and can be changed without prior notice. Published: 25 February 2025. CDVI_K1BT_DS_02_EN_LETTER_C

Datasheet

ISO25 - Printable ISO Card

Product Description

The ISO25 is a thin, printable PVC card. It contains a 125 kHz RFID chip. This affordable RFID proximity solution is ideal for any standard access control project.


CDVI offers a variety of access control credentials with different technologies (125 kHz proximity or MIFARE®) You'll find the ideal credentials to meet the needs of your installation. You can also customize our CDVI cards and tags with your own company logo (minimum order of 1,000 units).



Key Features

- Compatible with CDVI Wiegand readers
- 125 kHz proximity card
- Pack of 25 cards
- Printable on both sides
- Sequential decimal number on each card

 Certification

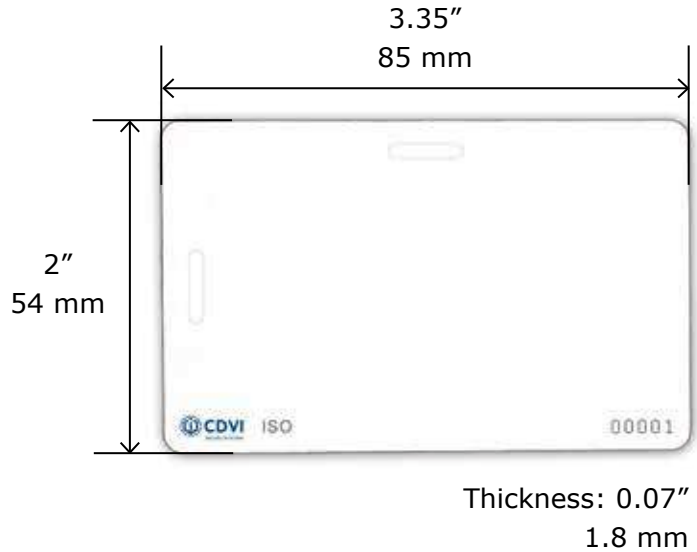
 DEEE

 Certification

All the information contained within this document (pictures, drawings, features, dimensions, specifications), could be perceptibly different and can be changed without prior notice. Published: 22 June 2023. CDVI_ISO25_DS_01_EN_LETTER_C

Product Specifications

Material:	PVC
Technology:	CDVI 26-bit encoding
Frequency:	125 kHz
Security level:	Standard
Weight:	0.1 oz, 4 g



Also available in these technologies



ISOH25

HID 26-bit 125 kHz



ISOM25

MIFARE® Classic 1K 13.56 MHz



ISODT25

Dual-Tech
CDVI 125 kHz & DESFire® EV2

Datasheet

TAG-EV2 - MIFARE® DESFire® Epoxy Tag

Product Description

The TAG-EV2 is an elegant tag giving you a lightweight and discreet credential option. This model contains a MIFARE® DESFire® EV2 (4K) RFID chip, the ideal solution for any high-security access control projects. TAG-EV2 integrates seamlessly into our user-friendly KRYPTO high-security system.

CDVI offers a variety of access control credentials with different technologies (125 kHz proximity or MIFARE®). You'll find the ideal credentials to meet the needs of your installation. You can also customize our CDVI cards and tags with your own company logo (minimum order of 1,000 units).



Key Features

- Compatible with MIFARE® DESFire® and KRYPTO readers
- MIFARE® DESFire® EV2 4K (13.56 MHz)
- Available in packs of 25

 Certification

 DEEE

RoHS Certification



KRYPTO
HIGH SECURITY SOLUTION

Product Specifications

Material:	Epoxy
Technology:	MIFARE® DESFire® EV2
Frequency:	13.56 MHz
Security level:	High security
Weight:	0.1 oz, 4 g

